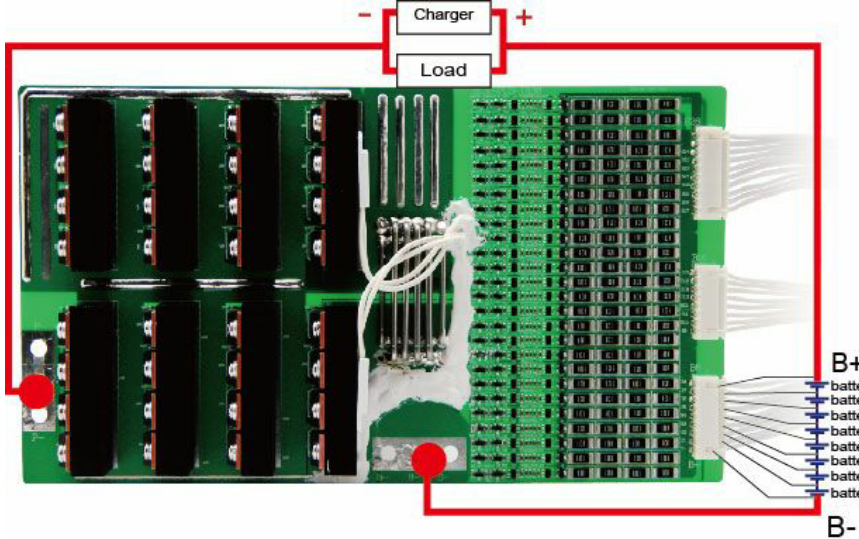


Data Sheet

Item	Contents		Criteria (Adjustable)
1	Model	HCX-D138	8S-100A working current
2	Voltage	Charging voltage	28.8V
3	Current	Maximal continuous charging current	100A
		Maximal continuous discharging current	100A
		Current consumption	≤20μA
4	Overcharge Protection	Over charge detection voltage	3.65V±0.025V
		Over charge detection delay time	0.5~2S
		Over charge release voltage	3.65V±0.025V
5	Over Discharge Protection	Over discharge detection voltage	2.50V±0.0625V
		Over discharge detection delay time	50~200mS
		Over discharge release voltage	2.50V±0.1V
6	Over Current Protection	Over current detection voltage	0.1V~0.2V
		Over current detection current	200~300A
		Detection delay time	5~20mS
		Release condition	Cut load,automatically recover
7	Short Circuit Protection	Detection condition	Exterior shot circuit
		Detection delay time	200~500uS
		Release condition	Cut load,automatically recover
8	Balance	Balance voltage for single cell	3.60V±0.025V
		Balance current for single cell	144mA±20mA
9	Resistance	Inner resistance	≤20mΩ
10	Temperature	Operating temperature range	-40~+85°C
		Storage temperature range	-20~+125°C
11	Size (L*W*T)	L220mm*W120mm*T30mm	



Remarks:

Charge,Discharge at same Port
P+=B+/Charge+/Discharge+
P-=Charge-/Discharge-

*Note:Characteristics subject to change without notice.